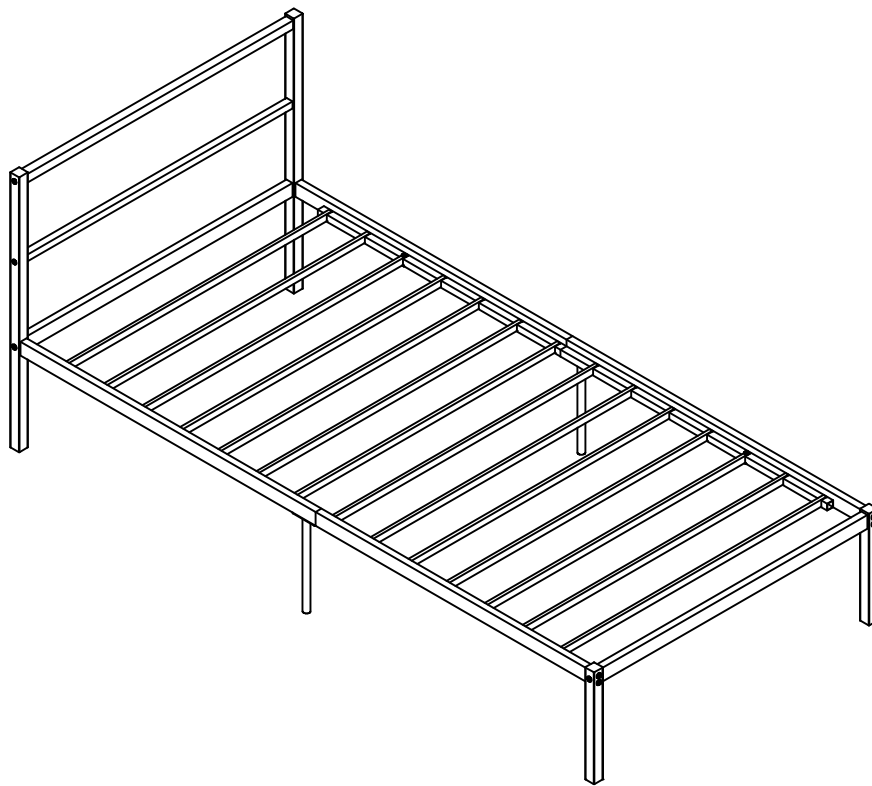
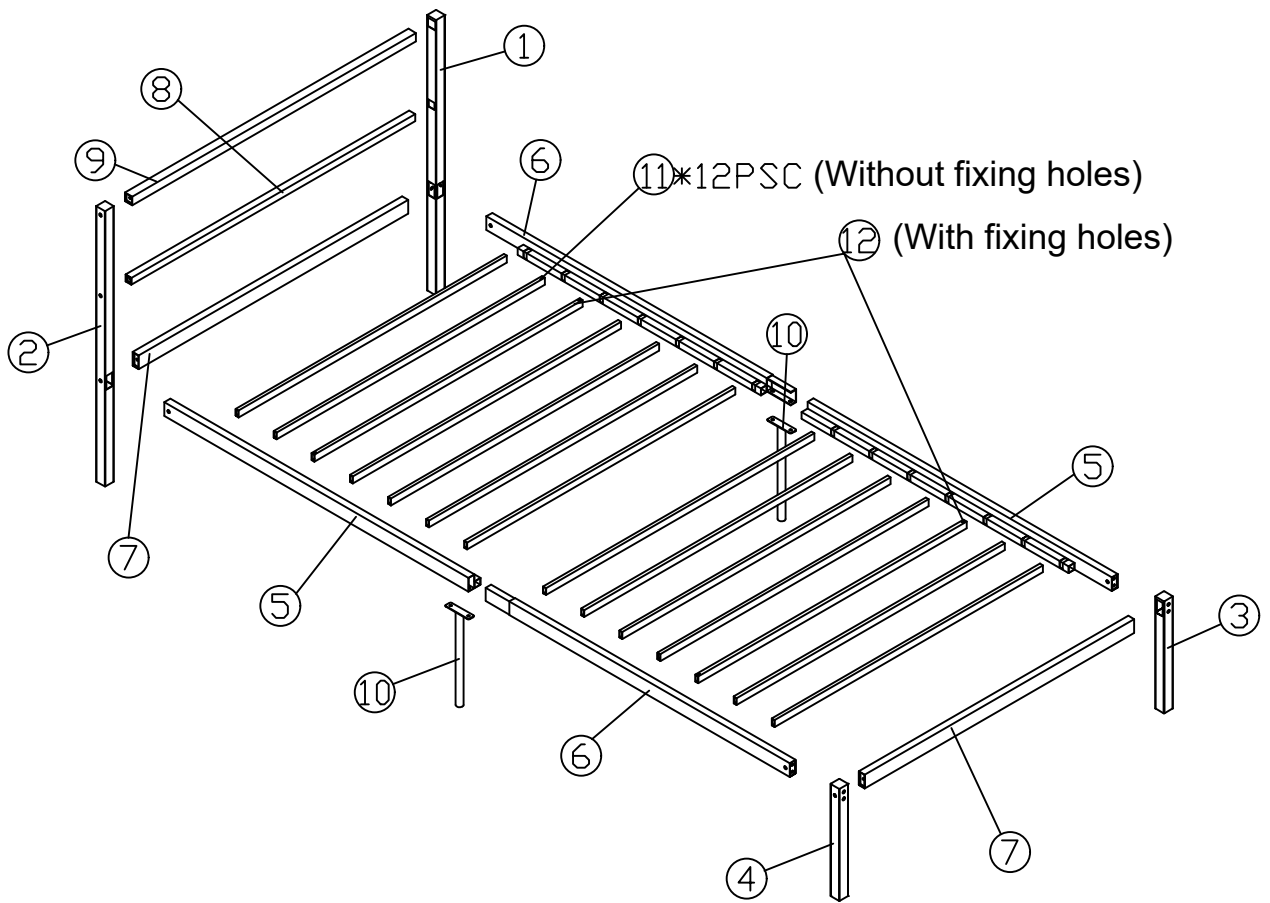
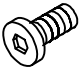
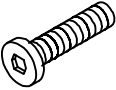



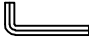
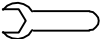




ASSEMBLY INSTRUCTION

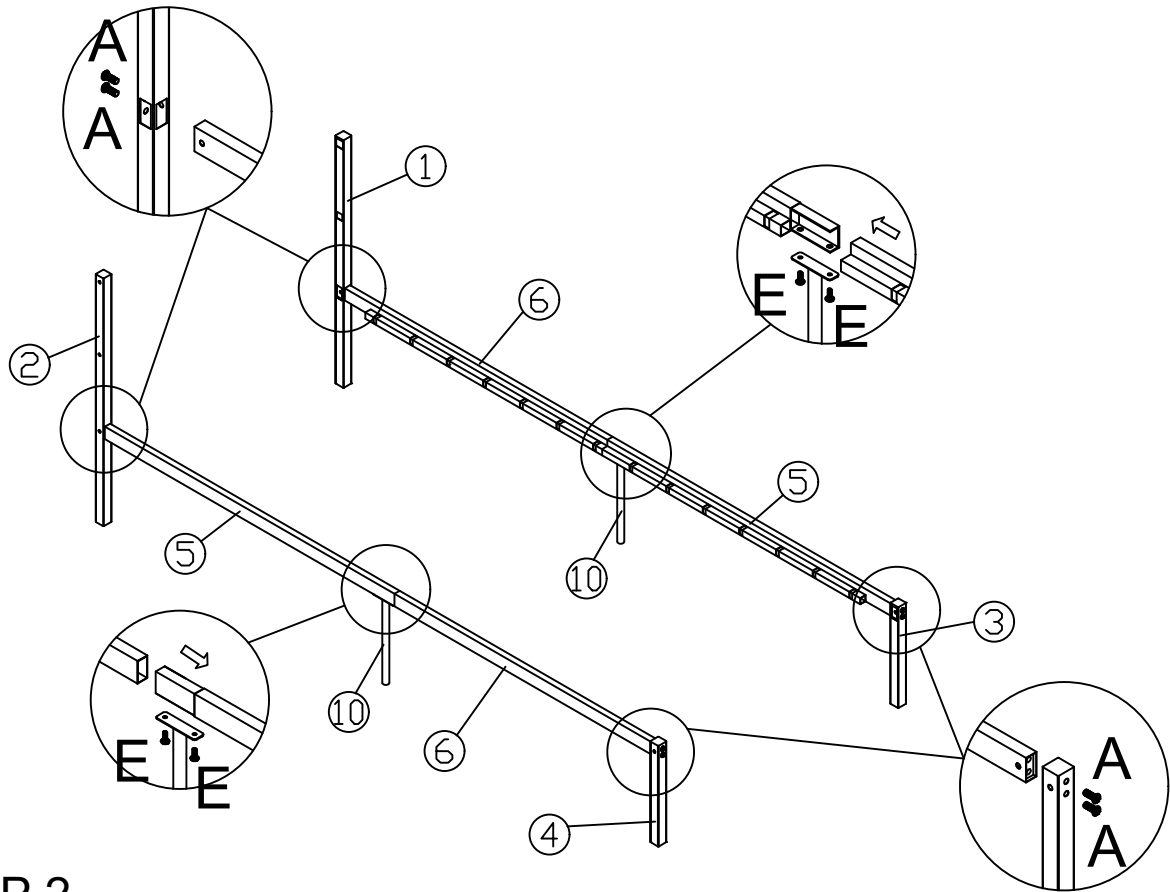


Remarks: Two adults are required to assembly this bed

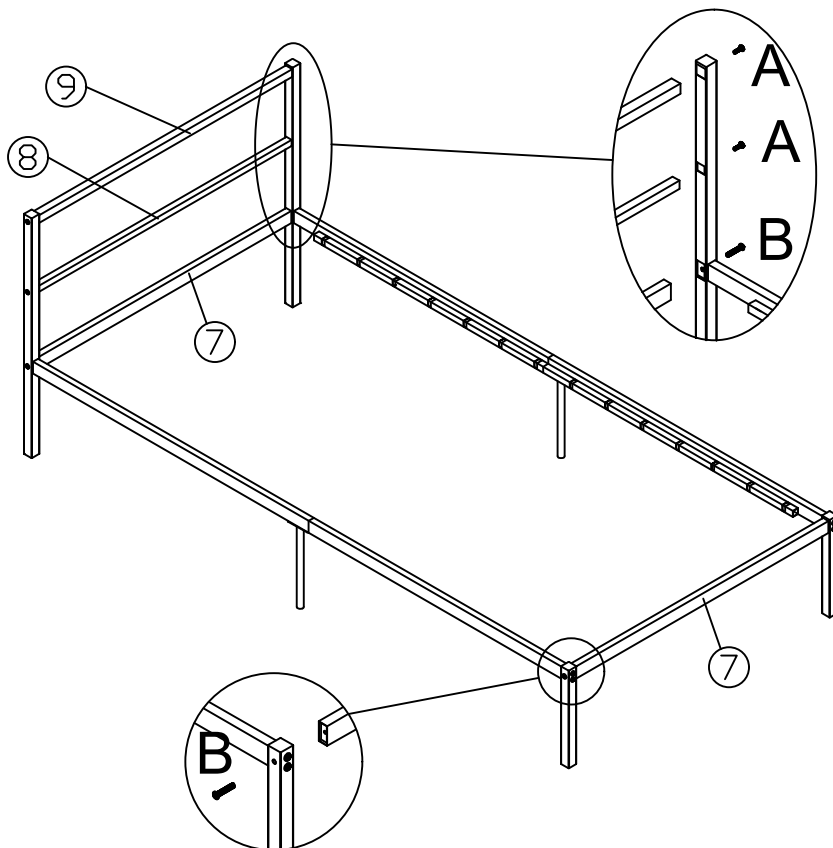


| | | | | |
|--|---|--|--|---|
| <p>A</p>  <p>M6*20MM 12PCS</p> | <p>B</p>  <p>M6*45MM 4PCS</p> | <p>C</p>  <p>M6*30MM 4PCS</p> | <p>D</p>  <p>M6 4PCS</p> | <p>E</p>  <p>M6*12MM 4PCS</p> |
| <p>F</p>  <p>M4 1PC</p> | <p>G</p>  <p>1PC</p> | <p>H</p>  <p>(Match with #16) 4PCS</p> | <p>I</p>  <p>(Match with #17) 24PCS</p> | |

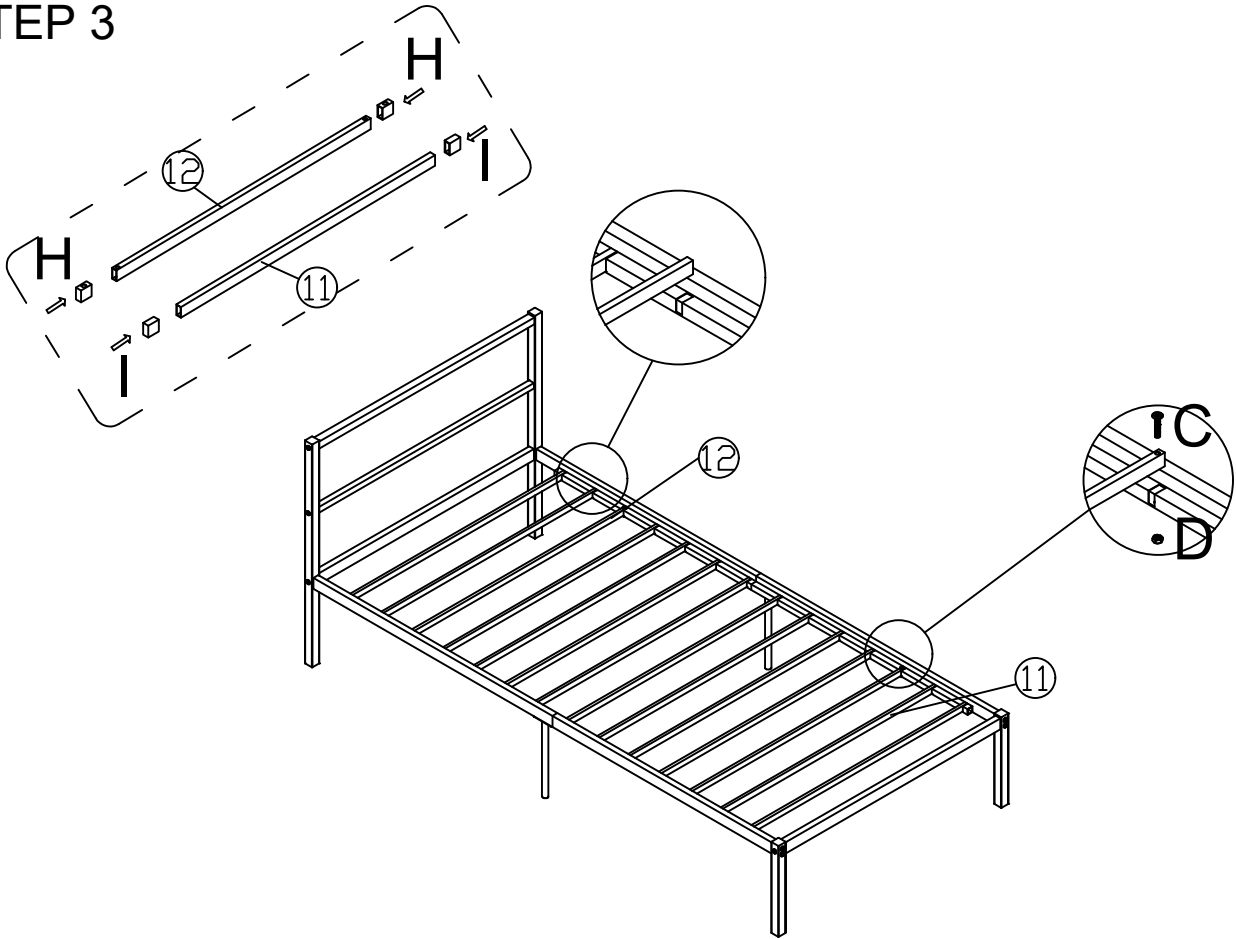
STEP 1



STEP 2



STEP 3



STEP 4

