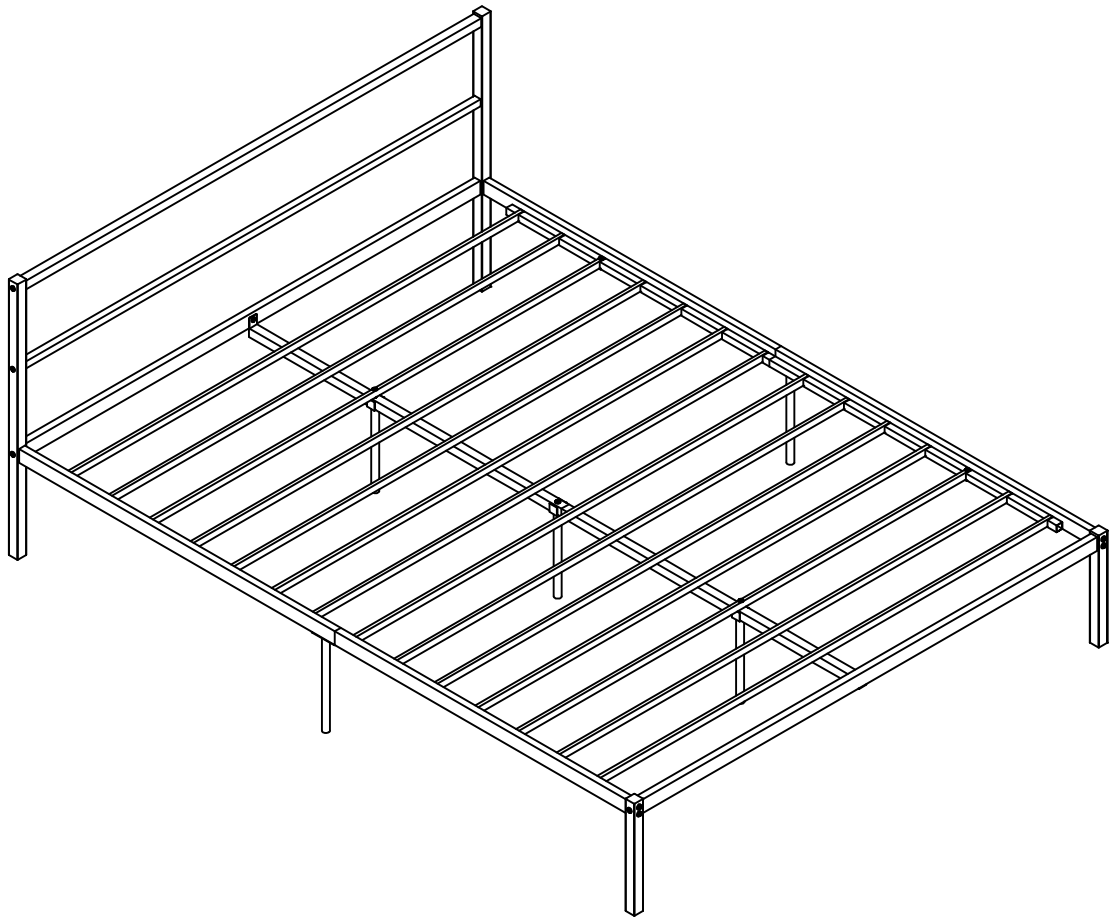
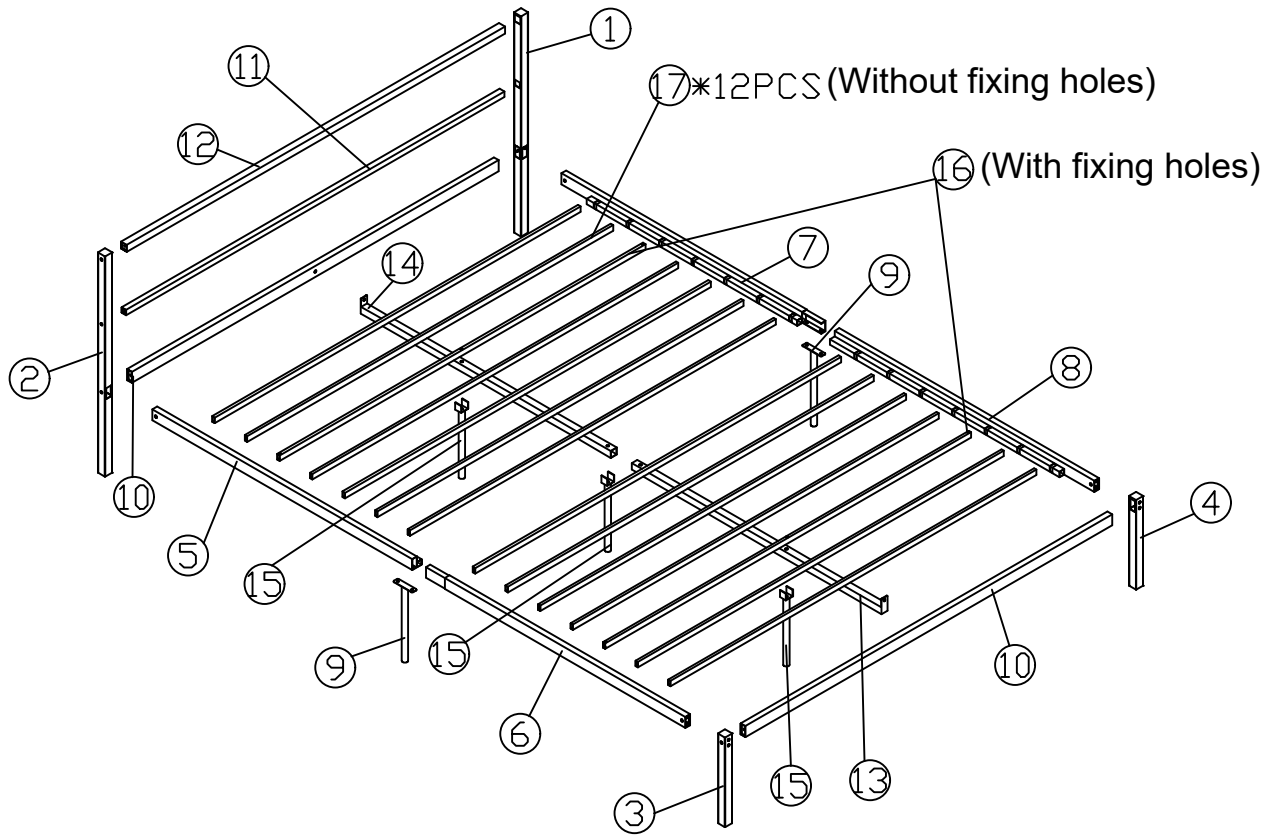

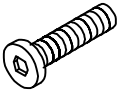
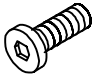


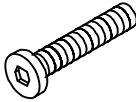
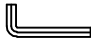
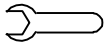





ASSEMBLY INSTRUCTION

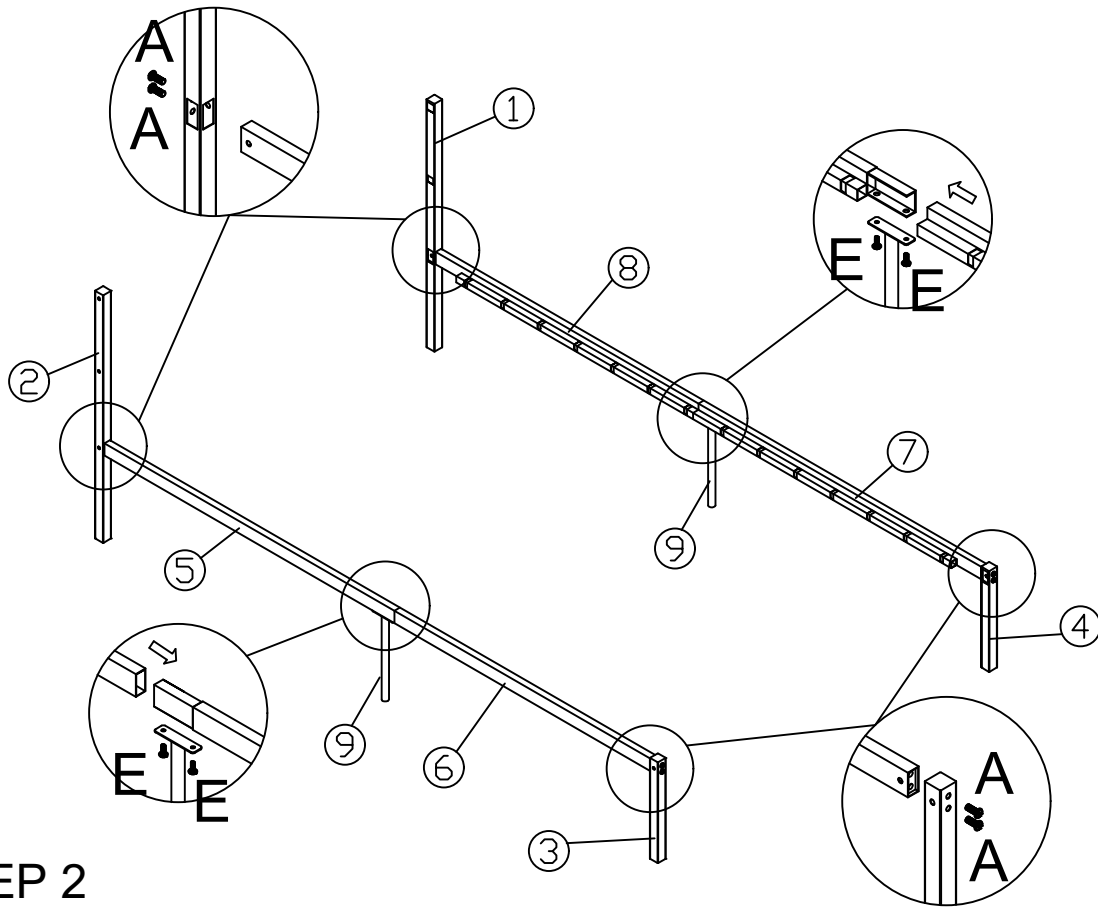


Remarks: Two adults are required to assembly this bed

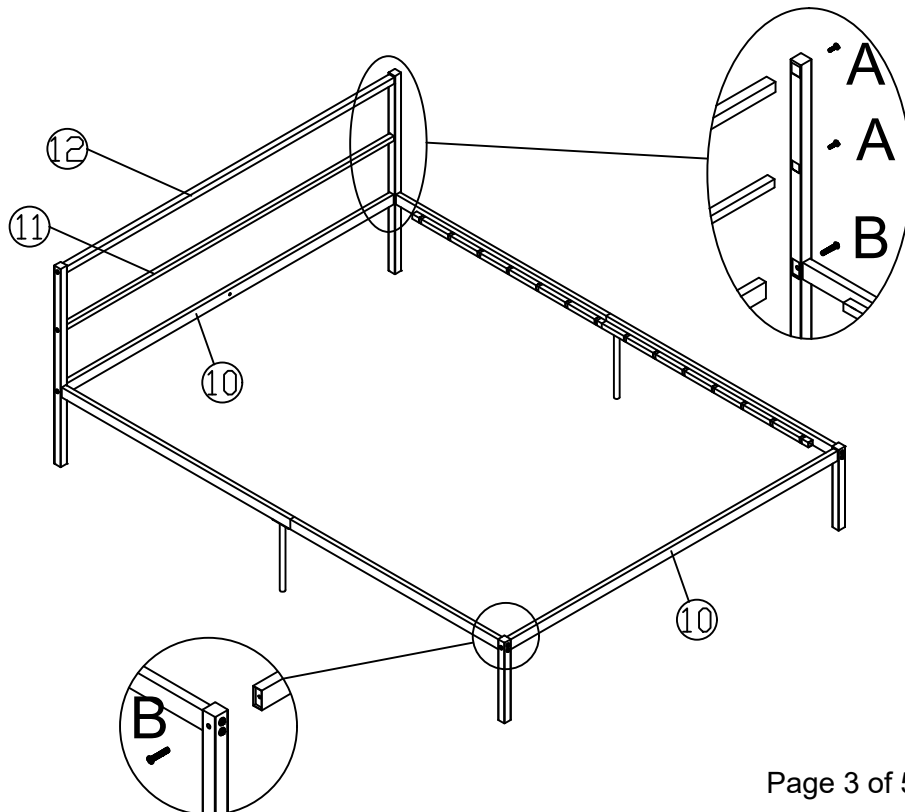


<p>A</p>  <p>M6*20MM 12PCS</p>	<p>B</p>  <p>M6*45MM 5PCS</p>	<p>C</p>  <p>M6*30MM 4PCS</p>	<p>D</p>  <p>M6 4PCS</p>	<p>E</p>  <p>M6*12MM 6PCS</p>	<p>F</p>  <p>M6*60MM 2PCS</p>
<p>G</p>  <p>M4 1PC</p>	<p>H</p>  <p>1PC</p>	<p>I</p>  <p>(Match with #16) 4PCS</p>	<p>J</p>  <p>(Match with #17) 24PCS</p>	<p>L</p>  <p>1PC</p>	

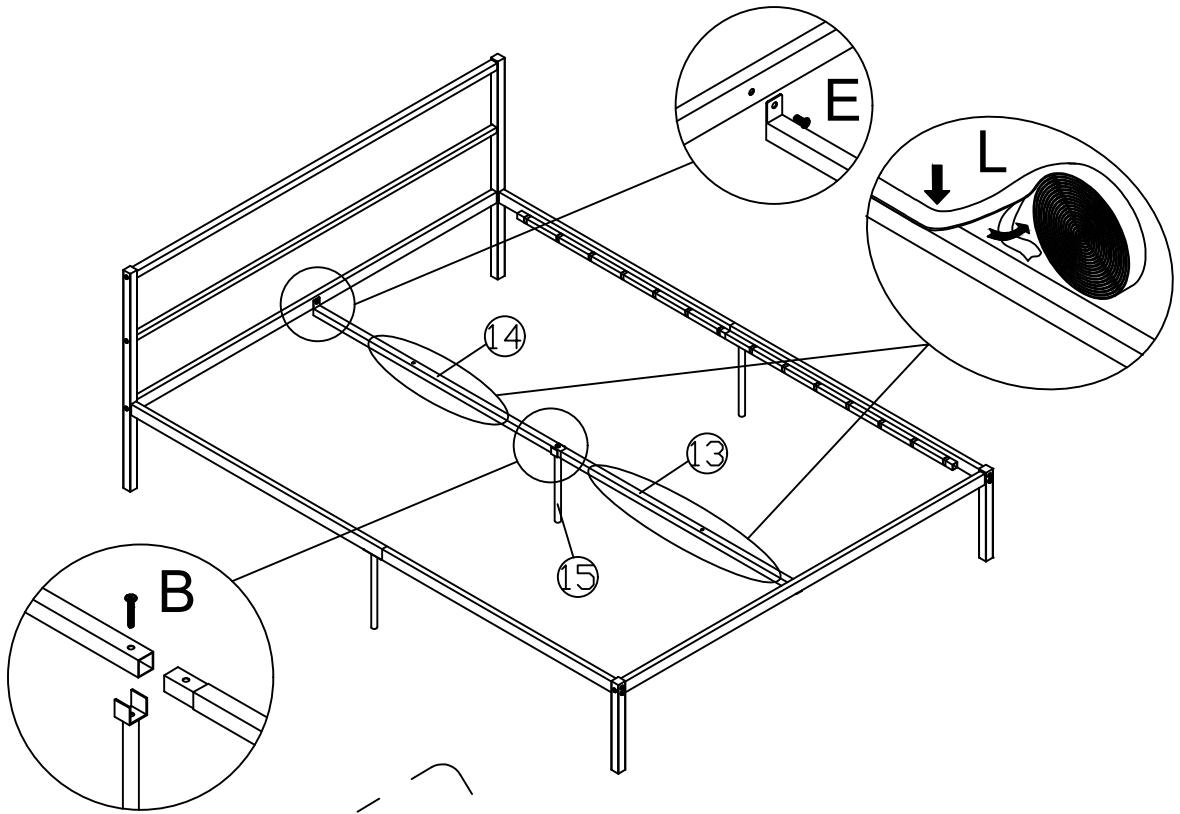
STEP 1



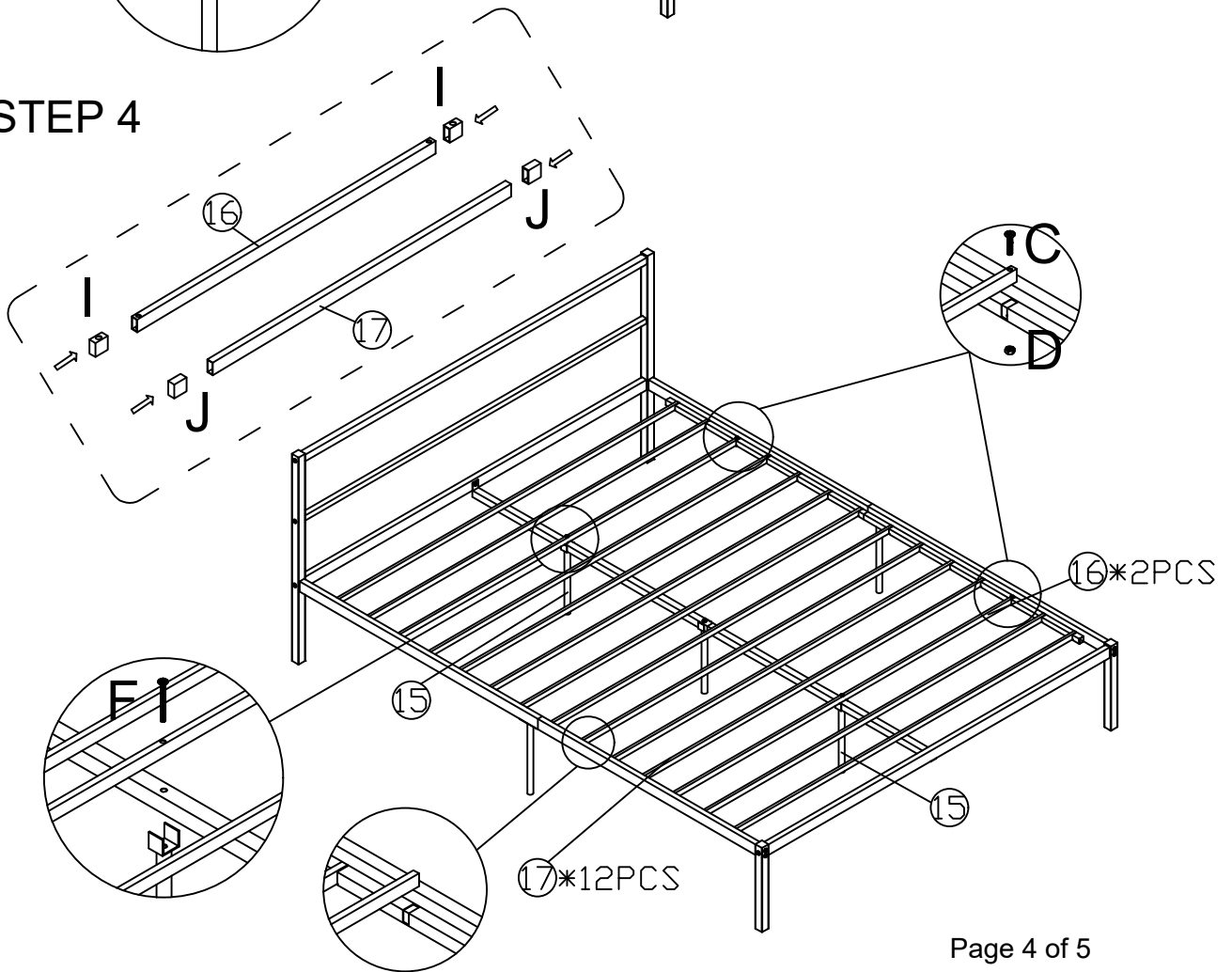
STEP 2



STEP 3



STEP 4



STEP 5

